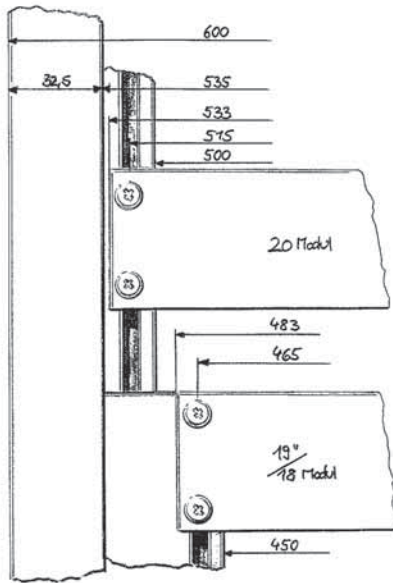


## Knürr Miracel® Strong points



2 MIR20122

### 1 Modular construction

Easy mounting, including all non-standard components – variable and in integrated 19" or 25 mm increments.

### 2 Forward-thinking

Security for the future and flexibility with integration of 19" and metric technology.

### 3 Expandable at all times

System expansions can be easily implemented while maintaining the IP protection rating.

### 4 Cable management

Guaranteed orderly and space-saving cable management. Adjustment to installation site, cable management can be selected from extensive range of accessory components.

### 5 Flexible ventilation components

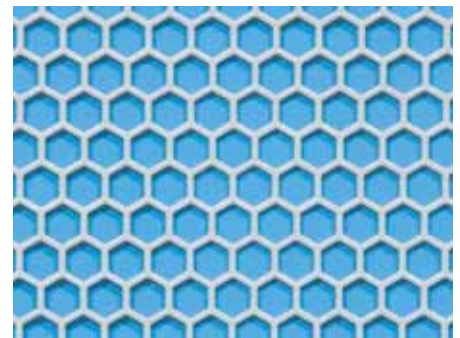
The correct ventilation solution is always provided by the corresponding selection of accessory components. This allows the air-flow to be specially adapted to the built-in components. Through the perforated bottom covers, top covers and doors, for example.



4 MEC20084



4 MIR00143

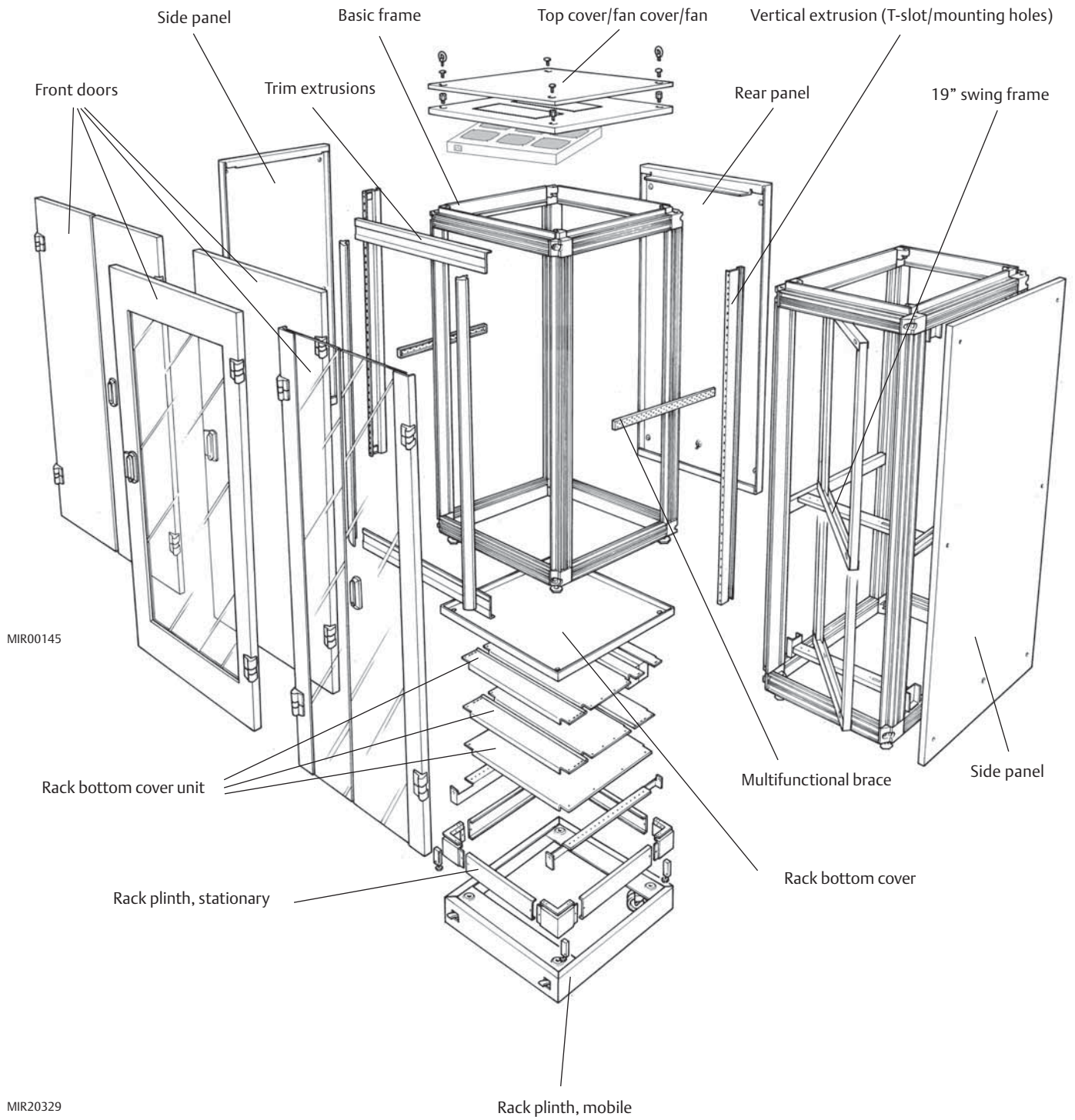


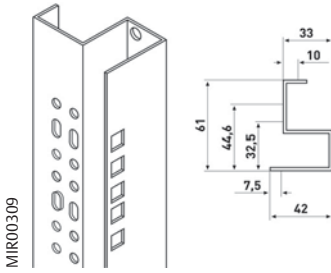
5 MIR20265



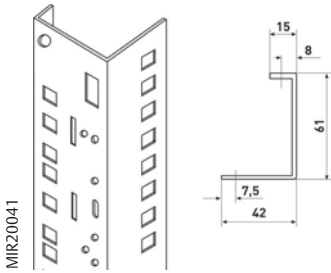
5 LUF20124

# Knürr Miracel®

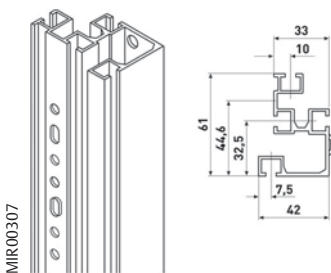




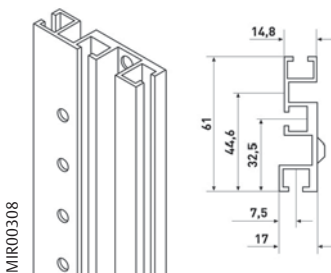
Vertical extrusion with mounting holes, steel for 19" racks



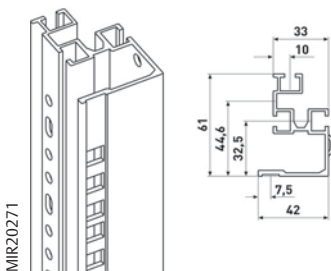
19" server extrusion



Vertical extrusion with T-slot, aluminum for 19" construction



Vertical extrusion with T-slot, aluminum for metric construction, 20 module



Vertical extrusion with mounting holes, aluminum for 19" racks

## Knürr Miracel® 19" Rack Technical data

### Material

- Extruded aluminum
- Corner piece, die-cast aluminum
- Covers, sheet steel, zinc-passivated
- Doors: sheet steel or with single safety glass panel, opening angle, over 180°

### Installation dimensions in acc. with IEC 297-3 and IEC 917

- Height: 23 U / 37 U / 41 U / 46 U (1 U = 44,45 mm) 66 module / 74 module / 82 module (1 module = 25 mm)
- Width: 482.6 mm (19" structure) 535 mm (20" module structure)

### Space solution

- 82% of the basic surface can be used as space for installation and cable routing
- Front jumpering space, 123 mm or 73 mm
- Door opening angle, 180°

### Configurations

- Stationary, on leveling feet
- Stationary with plinth
- Mobile with plinth and snib

### Finish / Color

- Basic rack, polished
- Optional: Door trim, black, RAL 9011
- Visible surface of covers, powder-coated, dark gray RAL 7021 or dark gray RAL 7021

### Static load rating

- 5,000 N with stationary version
- 3,000 N with mobile plinth

### Heat dissipation

Power loss with:

- Closed top cover, up to 500 W
- Vent lid, up to 700 W

### Tests according to version

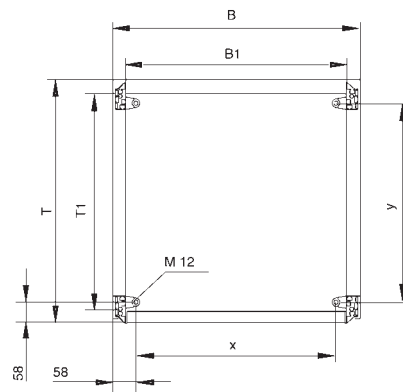
- Vibration test in acc. with MIL-STD 810 E
- IP test in acc. with IEC 529
- UL test 1244
- NEMA 12 Standard
- EMC shielding attenuation in acc. with MIL-STD 285 (10 MHz - 30 MHz) and VG 95 373 Part 15 (30 MHz-1GHz)
- Vibration and shock test in acc. with ETS 300 019
- Seismic test, Bellcore (NEBS) TR-NWT 000063 Zone 4
- Earthing, VDE 0 100 T 540

Further standards and tests on request.

### Rack suites

To create a rack suite with "n" racks, you require:

- n-1 racks without side panels and 1 rack with side panels
- In a rack suite, per connection you require one set of rack connectors



MIR00332

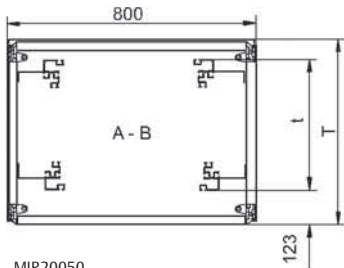
W [mm]	W1 [mm]	X [mm]
600	535	485
700	635	585
800	735	685
900	835	785

D [mm]	D1 [mm]	Y [mm]
600	530	485
800	730	685
900	830	785
1000	930	885
1200	1130	1085

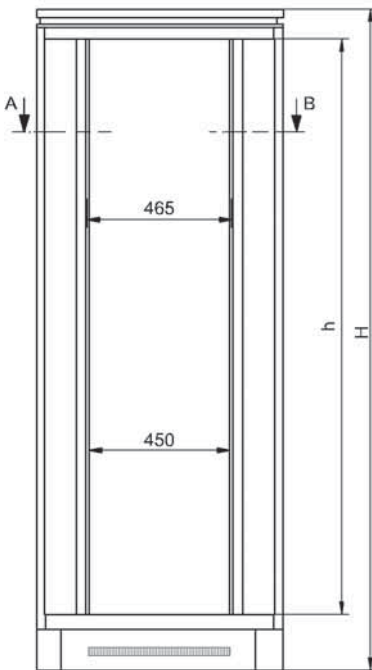


MIR20301

Auch in RAL 7021 Schwarzgrau



MIR20050



MIR20050

**Dimensions in mm:** W = Width, H = Height, D = Depth, h = installation height, d = useful depth, L = length, U = standard height unit (1 U = 44.45 mm), UP = unit of packaging, kg = weight, = Express item

**Conversion:** 1 mm = 0.03937 inch, 1 kg = 2.2046 pound

## Knürr Miracel® 19" Distribution Rack NS 25 Width 800, front glass door, T-slot extrusions

- With fixed 19" installation on the front and rear for components in accordance with IEC297-3
- Installation of chassis runners and 19" shelves possible
- Flexible assembly of the built-in units with T-slot
- Cable entry via plinth and top cover
- Cable entry on the top cover, can be completely removed at the rear, allowing top cover removal and replacement after cabling
- Dissipated heat discharge via raised fan roof.
- Top cover prepared for upgrading with CoolBlast® range fan units. This enables flexible adjustments to customer requirements.
- Door opening angle, 180°

**■ Jumpering space**  
At the front: 123 mm

**■ Load rating**  
5000 N static

**■ Protection rating**  
IP 40

- Tests**
- Earthing in acc. with VDE 0100 T 540
  - Vibration test in acc. with MIL-STD 810 E
  - IP test in acc. with DIN 40 050 / IEC 529

- Material / Finish**
- Basic rack, extruded aluminum, polished
  - Corner piece, die-cast aluminum, polished
  - Doors, sheet steel, powder-coated texture
  - Covers, zinc-passivated sheet steel, powder-coated texture

- Glass infill front door, single safety glass panel, 4 mm
- Multifunctional braces, sheet steel, zinc-plated

**■ Color**  
Final digit of order number .1:  
Visible surface of the cover RAL 7035 light gray  
Final digit of order number .8:  
Visible surfaces of the covers, RAL 7021 dark gray

- Supply schedule**
- 1 basic frame
  - 4" aluminum vertical extrusions with T-slot and increment slide for spring nut M5
  - 2 multifunctional braces for cable clamping and universal mounting options
  - 2 side panels with quick connectors
  - 1 top cover with cable entry (three-piece sliding plates, can also be opened completely), prepared for upgrading CoolBlast® fan units
  - 1 front door, single, single safety glass panel, with handle and mounting for cylinder lock
  - 1 rear door, single, sheet steel, with handle and mounting for cylinder lock
  - 1 plinth for cable management on the side and rear with leveling feet (0-25 mm)
  - 2 plinth panels for front and rear, with vent slots and fixing for filter mat
  - 2 plinth trims, closed
  - 1 complete earthing set (VDE 0100)

**■ How supplied**  
Assembled

W	H	D	U	h	d	kg	Model	Order no.	UP
800	2120	600	41	1852	365	112	With side panels/RAL 7035	01.136.044.1	1 unit
800	2120	600	41	1852	365	112	With side panels/RAL 7021	01.136.044.8	1 unit
800	2120	800	41	1852	565	120	With side panels/RAL 7035	01.136.050.1	1 unit
800	2120	800	41	1852	565	120	With side panels/RAL 7021	01.136.050.8	1 unit
800	2320	800	46	2052	565	130	With side panels/RAL 7035	01.136.051.1	1 unit
800	2320	800	46	2052	565	130	With side panels/RAL 7021	01.136.051.8	1 unit
800	2120	900	41	1852	665	124	With side panels/RAL 7035	01.136.056.1	1 unit
800	2120	900	41	1852	665	124	With side panels/RAL 7021	01.136.056.8	1 unit
800	2320	900	46	2052	665	134	With side panels/RAL 7035	01.136.057.1	1 unit
800	2320	900	46	2052	665	134	With side panels/RAL 7021	01.136.057.8	1 unit
800	2120	1000	41	1852	740	140	With side panels/RAL 7035	01.127.970.1	1 unit
800	2120	1000	41	1852	740	140	With side panels/RAL 7021	01.127.970.8	1 unit
800	2320	1000	46	1852	740	140	With side panels/RAL 7035	01.127.971.1	1 unit
800	2320	1000	46	1852	740	140	With side panels/RAL 7021	01.127.971.8	1 unit
800	2120	600	41	1852	365	103	No side panels/RAL 7035	01.136.244.1	1 unit
800	2120	600	41	1852	365	103	No side panels/RAL 7021	01.136.244.8	1 unit
800	2120	800	41	1852	565	109	No side panels/RAL 7035	01.136.250.1	1 unit
800	2120	800	41	1852	565	109	No side panels/RAL 7021	01.136.250.8	1 unit
800	2120	900	41	1852	665	118	No side panels/RAL 7035	01.136.256.1	1 unit
800	2120	900	41	1852	665	118	No side panels/RAL 7021	01.136.256.8	1 unit
800	2120	1000	41	1852	740	128	No side panels/RAL 7035	01.127.975.1	1 unit
800	2120	1000	41	1852	740	128	No side panels/RAL 7021	01.127.975.8	1 unit



MIR20301

**Knürr Miracel® 19" Distribution Rack NS 25**  
**Width 800, front glass door, 19" mounting hole extrusions**

- With fixed 19" installation on the front and rear for components in accordance with IEC297-3
- Installation of slot-in runners and 19" shelves possible
- Cable entry via plinth and top cover
- Cable entry on the top cover, can be completely removed at the rear, allowing top cover removal and replacement after cabling
- Dissipated heat discharge via raised fan roof.
- Top cover prepared for upgrading with CoolBlast® range fan units. This enables flexible adjustments to customer requirements.
- Door opening angle, 180°

**Jumpering space**  
 At the front: 123 mm

**Load rating**  
 5000 N static

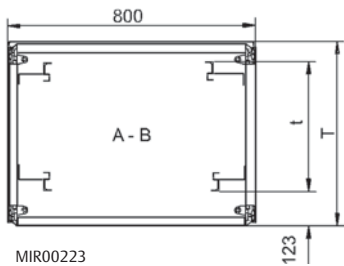
**Protection rating**  
 IP 40

- Tests**
- Earthing in acc. with VDE 0100 T 540
  - Vibration test in acc. with MIL-STD 810 E
  - IP test in acc. with DIN 40 050 / IEC 529

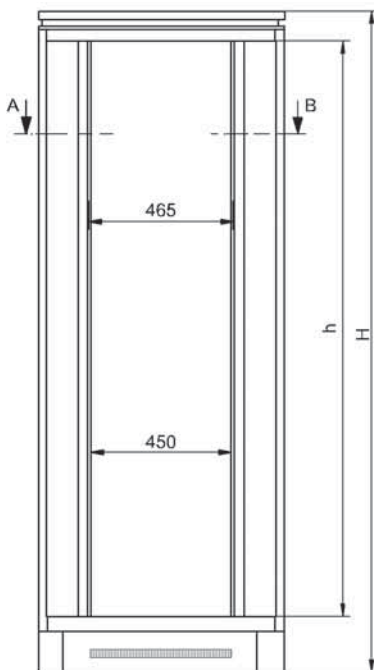
- Material / Finish**
- Basic rack, extruded aluminum, polished
  - Corner piece, die-cast aluminum, polished
  - Doors, sheet steel, powder-coated texture
  - Covers, zinc-passivated sheet steel, powder-coated texture
  - Glass infill front door, single safety glass panel, 4 mm
  - Multifunctional braces, sheet steel, zinc-plated

- Color**
- Final digit of order number .1:  
 Visible surface of the cover RAL 7035 light gray
  - Final digit of order number .8:  
 Visible surfaces of the covers, RAL 7021 dark gray
- Supply schedule**
- 1 basic frame
  - 4 19" vertical extrusions, sheet steel with mounting holes
  - 2 multifunctional braces for cable clamping and universal mounting options
  - 2 side panels with quick connectors
  - 1 top cover with cable entry (three-piece sliding plates, can also be opened completely), prepared for upgrading CoolBlast® fan units
  - 1 front door, single, single safety glass panel, with handle and mounting for cylinder lock
  - 1 rear door, single, sheet steel, with handle and mounting for cylinder lock
  - 1 plinth for cable management on the side and rear with leveling feet (0-25 mm)
  - 2 plinth panels for front and rear, with vent slots and fixing for filter mat
  - 2 plinth trims, closed
  - 1 complete earthing test (VDE 0100)

**How supplied**  
 Assembled



MIR00223



MIR20050

**Dimensions in mm:** W = Width, H = Height, D = Depth, h = installation height, d = useful depth, L = length, U = standard height unit, 1 U = 44.45 mm, UP = unit of packaging, kg = weight, = Express item

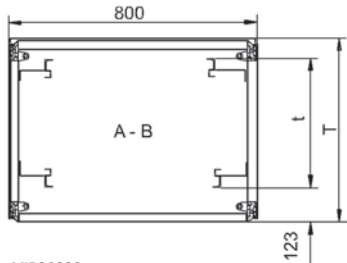
**Conversion:** 1 mm = 0.03937 inch, 1 kg = 2.2046 pound

W	H	D	U	h	d	kg	Model	Order no.	UP
800	2120	600	41	1852	365	112	With side panels/RAL 7035	01.133.040.1	1 unit
800	2120	600	41	1852	365	112	With side panels/RAL 7021	01.133.040.8	1 unit
800	2120	800	41	1852	565	120	With side panels/RAL 7035	01.133.041.1	1 unit
800	2120	800	41	1852	565	120	With side panels/RAL 7021	01.133.041.8	1 unit
800	2320	800	46	2052	565	130	With side panels/RAL 7035	01.133.042.1	1 unit
800	2320	800	46	2052	565	130	With side panels/RAL 7021	01.133.042.8	1 unit
800	2120	900	41	1852	665	124	With side panels/RAL 7035	01.133.043.1	1 unit
800	2120	900	41	1852	665	124	With side panels/RAL 7021	01.133.043.8	1 unit
800	2320	900	46	2052	665	134	With side panels/RAL 7035	01.133.044.1	1 unit
800	2320	900	46	2052	665	134	With side panels/RAL 7021	01.133.044.8	1 unit
800	2120	1000	41	1852	740	140	With side panels/RAL 7035	01.133.045.1	1 unit
800	2120	1000	41	1852	740	140	With side panels/RAL 7021	01.133.045.8	1 unit
800	2120	600	41	1852	365	103	With side panels/RAL 7035	01.133.046.1	1 unit
800	2120	600	41	1852	365	103	With side panels/RAL 7021	01.133.046.8	1 unit
800	2120	800	41	1852	565	109	No side panels/RAL 7035	01.133.047.1	1 unit
800	2120	800	41	1852	565	109	No side panels/RAL 7021	01.133.047.8	1 unit
800	2120	900	41	1852	665	118	No side panels/RAL 7035	01.133.048.1	1 unit
800	2120	900	41	1852	665	118	No side panels/RAL 7021	01.133.048.8	1 unit
800	2120	1000	41	1852	740	128	No side panels/RAL 7035	01.133.049.1	1 unit
800	2120	1000	41	1852	740	128	No side panels/RAL 7021	01.133.049.8	1 unit

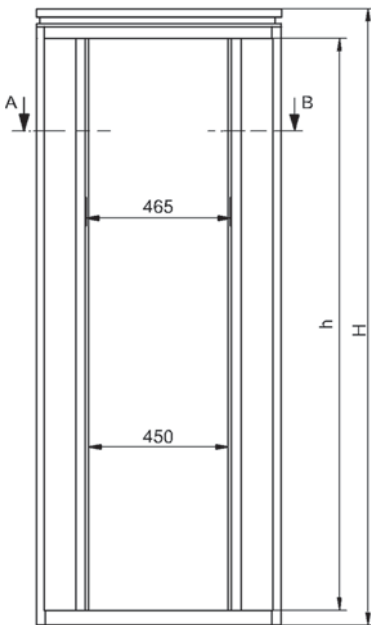


MIR20302

**Auch in RAL 7021  
Schwarzgrau**



MIR20223



MIR20223

## Knürr Miracel® 19" Distribution Rack NS 26 Width 800, front glass door, mounting hole extrusions

- With fixed 19" installation on the front and rear for components in accordance with IEC297-3
- Installation of chassis runners and 19" shelves possible
- Top cover prepared for upgrading with CoolBlast® range fan units. This enables flexible adjustments to customer requirements.
- Door opening angle, 180°

### ■ Jumpering space

At the front: 123 mm

### ■ Load rating

5000 N static

### ■ Protection rating

IP 40

### ■ Tests

- Earthing in acc. with VDE 0100 T 540
- IP test in acc. with DIN 40 050 / IEC 529

### ■ Material / Finish

- Basic rack, extruded aluminum, polished
- Corner piece, die-cast aluminum, polished
- Covers, zinc-passivated sheet steel, powder-coated texture
- Doors, sheet steel, powder-coated texture, glass infill, front door, single safety glass panel, 4 mm
- Multifunctional braces and 19" extrusions, sheet steel, zinc-passivated

### ■ Color

- Final digit of order number .1:  
Visible surface of the cover RAL 7035 light gray
- Final digit of order number .8:  
Visible surfaces of the covers, RAL 7021 dark gray

### ■ Supply schedule

- 1 basic frame
- 4 19" vertical extrusions, sheet steel with mounting holes
- 2 multifunctional braces for cable clamping and universal mounting options
- 2 side panels with quick connectors
- 1 raised top cover with cable entry (three-piece sliding plates, can also be opened completely), prepared for upgrading CoolBlast® fan units
- 1 front door, single, single safety glass panel, with handle and mounting for cylinder lock
- 1 rear door, single, sheet steel, with handle and mounting for cylinder lock
- 1 complete earthing set (VDE 0100)
- 4 leveling feet

### ■ How supplied

Assembled


### ■ Note

- Not available with double doors
- Not available with bottom covers

W	H	D	U	h	d	kg	Model	Order no.	UP
800	2000	600	42	1900	365	108	With side panels/RAL 7035	<b>01.136.274.1</b>	1 unit
800	2000	600	42	1900	365	108	With side panels/RAL 7021	<b>01.136.274.8</b>	1 unit
800	2000	800	42	1900	565	116	With side panels/RAL 7035	<b>01.136.280.1</b>	1 unit
800	2000	800	42	1900	565	116	With side panels/RAL 7021	<b>01.136.280.8</b>	1 unit
800	2200	800	47	2100	565	126	With side panels/RAL 7035	<b>01.136.281.1</b>	1 unit
800	2200	800	47	2100	565	126	With side panels/RAL 7021	<b>01.136.281.8</b>	1 unit
800	2000	900	42	1900	665	120	With side panels/RAL 7035	<b>01.136.286.1</b>	1 unit
800	2000	900	42	1900	665	120	With side panels/RAL 7021	<b>01.136.286.8</b>	1 unit
800	2200	900	47	2100	665	120	With side panels/RAL 7035	<b>01.136.287.1</b>	1 unit
800	2200	900	47	2100	665	120	With side panels/RAL 7021	<b>01.136.287.8</b>	1 unit
800	2000	600	42	1900	365	799	No side panels/RAL 7035	<b>01.136.300.1</b>	1 unit
800	2000	600	42	1900	365	799	No side panels/RAL 7021	<b>01.136.300.8</b>	1 unit
800	2000	800	42	1900	565	105	No side panels/RAL 7035	<b>01.136.306.1</b>	1 unit
800	2000	800	42	1900	565	105	No side panels/RAL 7021	<b>01.136.306.8</b>	1 unit
800	2000	900	42	1900	665	116	No side panels/RAL 7035	<b>01.136.312.1</b>	1 unit
800	2000	900	42	1900	665	116	No side panels/RAL 7021	<b>01.136.312.8</b>	1 unit

Dimensions in mm: W = Width  
H = Height  
D = Depth  
h = installation height  
d = useful depth  
L = length

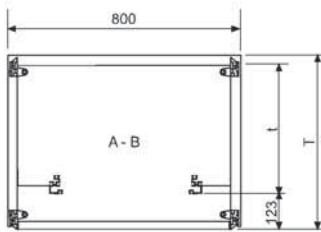
U = standard height unit  
1 U = 44.45 mm  
UP = unit of packaging  
kg = weight

 = Express item

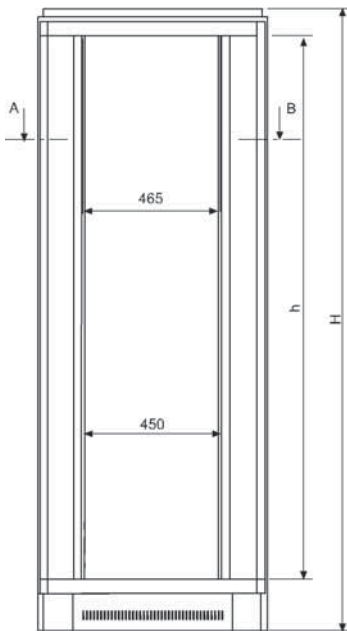
Conversion: 1 mm = 0.03937 inch 1 kg = 2.2046 pound



MIR20303



MIR00607



MIR00607

## Knürr Miracel® 19" Distribution Rack, NS 19.8 Width 800, front glass door

- With fixed 19" installation on the front for components in acc. with IEC 297-3
- Flexible assembly of the built-in units with T-slot
- Cable entry via plinth and top cover
- Cable entry on the top cover, can be completely removed at the rear, allowing top cover removal and replacement after cabling
- Dissipated heat discharge via raised fan roof
- Top cover prepared for upgrading with CoolBlast® range fan units. This enables flexible adjustments to customer requirements.
- Door opening angle, 180°

**Jumpering space**  
At the front: 123 mm

**Load rating**  
5000 N static

**Protection rating**  
IP 40

- Tests**
- Earthing in acc. with VDE 0100 T 540
  - Vibration test in acc. with MIL-STD 810 E
  - IP test in acc. with DIN 40 050 / IEC 529

- Material / Finish**
- Basic rack, extruded aluminum, polished
  - Corner piece, die-cast aluminum, polished
  - Covers, zinc-passivated sheet steel, powder-coated texture
  - Doors, sheet steel, powder-coated texture, glass infill, front door, single safety glass panel, 4 mm
  - Multifunctional braces, sheet steel, zinc-plated

**Color**  
Visible surface of covers  
RAL 7035 light gray

- Supply schedule**
- 1 basic frame
  - 2 19" aluminum vertical extrusions with T-slot and increment slide for spring nut M5
  - 2 multifunctional braces for cable clamping and universal mounting options
  - 1 raised top cover with cable entry (three-piece sliding plates, can also be opened completely), prepared for upgrading CoolBlast® fan units
  - 1 front door, single or double, single safety glass panel, with handle and mounting for cylinder lock
  - 1 rear door, single or double, sheet steel, with handle and mounting for cylinder lock
  - 2 side panels with quick connectors (according to model)
  - 1 plinth for cable management on the side and rear with leveling feet (0-25 mm)
  - 2 side plinth panels, closed (according to model)
  - 2 plinth panels for front and rear, with vent slots and fixing for filter mat
  - 1 complete earthing set (VDE 0100)

**How supplied**  
Assembled

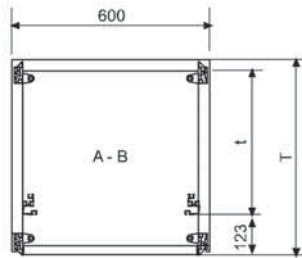
W	H	D	U	h	d	kg	Model	Order no.	UP
800	1320	600	23	1052	435	78	Glass door, side panel	01.135.001.1	1 unit
800	1920	600	37	1652	435	103	Glass door, side panel	01.135.003.1	1 unit
800	2120	600	41	1852	435	112	Glass door, side panel	01.135.004.1	1 unit
800	2320	600	46	2052	435	121	Glass door, side panel	01.135.005.1	1 unit
800	1320	800	23	1052	635	80	Glass door, side panel	01.135.019.1	1 unit
800	1920	800	37	1652	635	111	Glass door, side panel	01.135.021.1	1 unit
800	2120	800	41	1852	635	120	Glass door, side panel	01.135.022.1	1 unit
800	2320	800	46	2052	635	129	Glass door, side panel	01.135.023.1	1 unit
800	1320	600	23	1052	435	70	Glass door, no side panel	01.135.007.1	1 unit
800	1920	600	37	1652	435	95	Glass door, no side panel	01.135.009.1	1 unit
800	2120	600	41	1852	435	103	Glass door, no side panel	01.135.010.1	1 unit
800	2320	600	46	2052	435	112	Glass door, no side panel	01.135.011.1	1 unit
800	1320	800	23	1052	635	73	Glass door, no side panel	01.135.025.1	1 unit
800	1920	800	37	1652	635	101	Glass door, no side panel	01.135.027.1	1 unit
800	2120	800	41	1852	635	109	Glass door, no side panel	01.135.028.1	1 unit
800	2320	800	46	2052	635	118	Glass door, no side panel	01.135.029.1	1 unit
800	1320	800	23	1052	635	80	Double glass door, side panel	01.135.037.1	1 unit
800	1920	800	37	1652	635	111	Double glass door, side panel	01.135.039.1	1 unit
800	2120	800	41	1852	635	120	Double glass door, side panel	01.135.040.1	1 unit
800	2320	800	46	2052	635	121	Double glass door, side panel	01.135.041.1	1 unit
800	1320	800	23	1052	635	73	Double glass door, no side panel	01.135.043.1	1 unit
800	1920	800	37	1652	635	101	Double glass door, no side panel	01.135.045.1	1 unit
800	2120	800	41	1852	635	109	Double glass door, no side panel	01.135.046.1	1 unit
800	2320	800	46	2052	635	118	Double glass door, no side panel	01.135.047.1	1 unit

**Dimensions in mm:** W = Width, H = Height, D = Depth, h = installation height, d = useful depth, L = length, U = standard height unit (1 U = 44.45 mm), UP = unit of packaging, kg = weight, = Express item

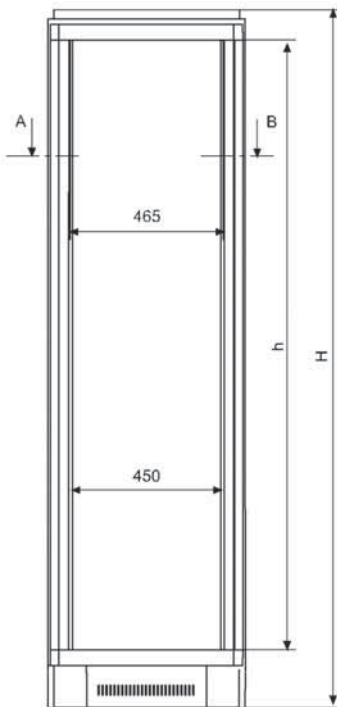
**Conversion:** 1 mm = 0.03937 inch, 1 kg = 2.2046 pound




MIR20304



MIR00056



MIR00031

**Dimensions in mm:** W = Width, H = Height, D = Depth, h = installation height, d = useful depth, L = length, U = standard height unit (1 U = 44.45 mm), UP = unit of packaging, kg = weight,  = Express item

**Conversion:** 1 mm = 0.03937 inch, 1 kg = 2.2046 pound

## Knürr Miracel® 19" Distribution Rack NS 19.6 Width 600, front glass door

- With fixed 19" installation on the front for components in acc. with IEC 297-3
- Flexible assembly of the built-in units with T-slot
- Cable entry via plinth and top cover
- Cable entry on the top cover, can be completely removed at the rear, allowing top cover removal and replacement after cabling
- Dissipated heat discharge via raised fan roof.
- Top cover prepared for upgrading with CoolBlast® range fan units. This enables flexible adjustments to customer requirements.
- Door opening angle, 180°

**Jumping space**  
At the front: 123 mm

**Load rating**  
5000 N static

**Protection rating**  
IP 40

- Tests**
- Earthing in acc. with VDE 0100 T 540
  - Vibration test in acc. with MIL-STD 810 E
  - IP test in acc. with DIN 40 050 / IEC 529




- Material/ Finish**
- Basic rack, extruded aluminum, polished
  - Corner piece, die-cast aluminum, polished
  - Covers, zinc-passivated sheet steel, powder-coated texture

- Doors, sheet steel, powder-coated texture, glass infill, front door, single safety glass panel, 4 mm
- Multifunctional sheet steel, zinc-plated

**Color**  
Visible surface of covers  
RAL 7035 light gray

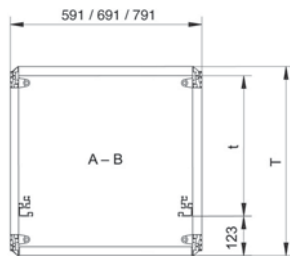
- Supply schedule**
- 1 basic frame
  - 2 19" aluminum vertical extrusions with T-slot and increment slide for spring nut M5
  - 2 multifunctional braces for cable clamping and universal mounting options
  - 1 raised top cover with cable entry (three-piece sliding plates, can also be opened completely), prepared for upgrading CoolBlast® fan units
  - 1 front door, single, single safety glass panel, with handle and mounting for cylinder lock
  - 1 rear door, single, sheet steel, with handle and mounting for cylinder lock
  - 2 side panels with quick connectors
  - 1 plinth for cable management on the side and rear with leveling feet (0-25 mm)
  - 2 side plinth panels, closed
  - 2 plinth panels for front and rear, with vent slots and fixing for filter mat
  - 1 complete earthing set (VDE 0100)

**How supplied**  
Assembled

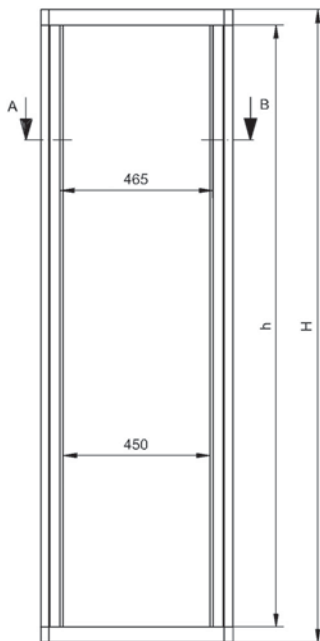
W	H	D	U	h	d	kg	Model	Order no.	UP
600	1320	600	23	1052	435	72	With side panel	01.135.109.1	 1 unit
600	1920	600	37	1652	435	95	With side panel	01.135.111.1	1 unit
600	2120	600	41	1852	435	103	With side panel	01.135.112.1	 1 unit
600	2320	600	46	2052	435	112	With side panel	01.135.113.1	1 unit
600	1320	800	23	1052	635	74	With side panel	01.135.127.1	1 unit
600	1920	800	37	1652	635	102	With side panel	01.135.129.1	 1 unit
600	2120	800	41	1852	635	110	With side panel	01.135.130.1	1 unit
600	2320	800	46	2052	635	119	With side panel	01.135.131.1	1 unit
600	1320	600	23	1052	435	68	No side panel	01.135.115.1	1 unit
600	1920	600	37	1652	435	94	No side panel	01.135.117.1	1 unit
600	2120	600	41	1852	435	99	No side panel	01.135.118.1	1 unit
600	2320	600	46	2052	435	106	No side panel	01.135.119.1	1 unit
600	1320	800	23	1052	635	68	No side panel	01.135.133.1	1 unit
600	1920	800	37	1652	635	94	No side panel	01.135.135.1	1 unit
600	2120	800	41	1852	635	99	No side panel	01.135.136.1	1 unit
600	2320	800	46	2052	635	106	No side panel	01.135.137.1	1 unit



MIR20307



MIR00043a



MIR20002

**Knürr Miracel® 19" Lab Rack, NO 19**  
with 2x 19" T-slot extrusion (basis for rack widths 600 / 700 / 800)

- With fixed 19" installation on the front for components in acc. with IEC 297-3
- Flexible assembly of the built-in units with T-slot

■ **Jumpering space**  
At the front: 123 mm

■ **Load rating**  
5000 N static

- **Tests**
- Earthing in acc. with VDE 0100 T 540
  - Vibration test in acc. with MIL-STD 810 E

- **Material/ Finish**
- Basic rack, extruded aluminum, polished
  - Corner piece, die-cast aluminum
  - Multifunctional sheet steel, zinc-plated

■ **Supply schedule**

- 1 basic frame
- 2 19" aluminum vertical extrusions with T-slot and increment slide for spring nut M5
- 2 multifunctional braces for cable clamping and universal mounting options
- 4 leveling feet (0-25 mm)

■ **How supplied**

Assembled

W	H	D	U	h	d	kg	Model	Order no.	UP
591	1196	585	23	1052	435	14		01.135.793.3	1 unit
591	1796	585	37	1652	435	16		01.135.795.3	1 unit
591	1996	585	41	1852	435	17		01.135.796.3	1 unit
591	2196	585	46	2052	435	18		01.135.797.3	1 unit
591	1196	785	23	1052	635	16		01.135.817.3	1 unit
591	1796	785	37	1652	635	18		01.135.819.3	1 unit
591	1996	785	41	1852	635	19		01.135.820.3	1 unit
591	2196	785	46	2052	635	20		01.135.821.3	1 unit
591	1196	885	37	1652	735	19		01.135.842.0	1 unit
591	1996	885	41	1852	735	20		01.135.843.0	1 unit
591	2196	885	46	2052	735	21		01.135.844.0	1 unit
591	1796	985	37	1652	835	20		01.133.600.0	1 unit
591	1996	985	41	1852	835	21		01.133.610.0	1 unit
591	2196	985	46	2052	835	22		01.133.620.0	1 unit
591	1796	1185	37	1652	1035	22		01.133.605.0	1 unit
591	1996	1185	41	1852	1035	23		01.133.615.0	1 unit
591	2196	1185	46	2052	1035	24		01.133.625.0	1 unit
691	1196	585	23	1052	435	15		01.135.799.3	1 unit
691	1796	585	37	1652	435	17		01.135.801.3	1 unit
691	1996	585	41	1852	435	18		01.135.802.3	1 unit
691	2196	585	46	2052	435	19		01.135.803.3	1 unit
691	1196	785	23	1052	635	17		01.135.823.3	1 unit
691	1796	785	37	1652	635	19		01.135.825.3	1 unit
691	1996	785	41	1852	635	20		01.135.826.3	1 unit
691	2196	785	46	2052	635	21		01.135.827.3	1 unit
691	1796	885	37	1652	735	19		01.133.630.0	1 unit
691	1996	885	41	1852	735	20		01.133.645.0	1 unit
691	2196	885	46	2052	735	22		01.133.660.0	1 unit
691	1796	985	37	1652	835	21		01.133.635.0	1 unit
691	1996	985	41	1852	835	22		01.133.650.0	1 unit
691	2196	985	46	2052	835	23		01.133.665.0	1 unit
691	1796	1185	37	1652	1035	23		01.133.640.0	1 unit
691	1996	1185	41	1852	1035	24		01.133.655.0	1 unit
691	2196	1185	46	2052	1035	25		01.133.670.0	1 unit
791	1200	585	23	1052	435	16		01.135.805.3	1 unit
791	1796	585	37	1652	435	18		01.135.807.3	1 unit
791	1996	585	41	1852	435	19		01.135.808.3	1 unit
791	2196	585	46	2052	435	20		01.135.809.3	1 unit

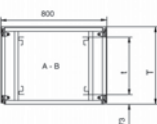
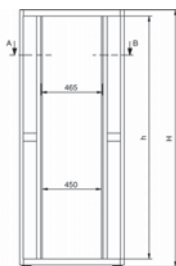
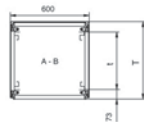
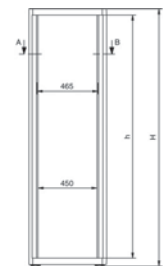
W	H	D	U	h	d	kg	Model	Order no.	UP
791	1196	785	23	1052	635	18		01.135.829.3	1 unit
791	1796	785	37	1652	635	20		01.135.831.3	1 unit
791	1996	785	41	1852	635	21		01.135.832.3	1 unit
791	2196	785	46	2052	635	22		01.135.833.3	1 unit
791	1796	885	37	1652	735	21		01.135.847.0	1 unit
791	1996	885	41	1852	735	22		01.135.848.0	1 unit
791	2196	885	46	2052	735	23		01.135.849.0	1 unit
791	1796	985	37	1652	835	20		01.133.675.0	1 unit
791	1996	985	41	1852	835	22		01.133.685.0	1 unit
791	2196	985	46	2052	835	24		01.133.695.0	1 unit
791	1796	1185	37	1652	1035	22		01.133.680.0	1 unit
791	1996	1185	41	1852	1035	24		01.133.690.0	1 unit
791	2196	1185	46	2052	1035	26		01.133.700.0	1 unit



MIR20308

## Knürr Miracel® 19" Basic Frame, with 4x 19" mounting hole extrusion (basis for rack widths 600 / 800)

- With fixed 19" installation on the front and rear
- Installation of chassis runners and 19" shelves possible
- For components in acc. with IEC 297-3
- **For installing:**
  - 19" components on the front and rear
  - Equipment with max. construction width of 450 mm
  - Installation accessories
- **Jumpering space**  
At the front: 73 mm
- **Load rating**  
5000 N static
- **Tests**
  - Earthing in acc. with VDE 0100 T 540
  - Vibration test in acc. with MIL-STD 810 E
- **Material/ Finish**
  - Basic rack, extruded aluminum, polished
  - Corner piece, die-cast aluminum
  - Multifunctional braces and 19" sheet steel extrusions, zinc-passivated
- **Supply schedule**
  - 1 basic frame
  - 4 19" sheet steel angular extrusions with mounting holes
  - 2 multifunctional braces for cable clamping and universal mounting options
  - 4 leveling feet (0-25 mm)
- **How supplied**  
- Assembled
- **Note: Rack suites**  
In a rack suite, per connection you require a set of suite connectors BN 01.130.935.7



MIR00300

W	H	D	U	h	d	kg	Model	Order no.	UP
591	1196	585	23	1052	440	14		01.130.190.0	1 unit
591	1796	585	37	1652	440	16		01.130.193.0	1 unit
591	1996	585	41	1852	440	17		01.130.194.0	1 unit
591	2196	585	46	2052	440	18		01.130.195.0	1 unit
591	1196	785	23	1052	640	16		01.130.280.0	1 unit
591	1796	785	37	1652	640	18		01.130.283.0	1 unit
591	1996	785	41	1852	640	19		01.130.284.0	1 unit
591	2196	785	46	2052	640	20		01.130.285.0	1 unit
791	1196	585	23	1052	440	16		01.130.226.0	1 unit
791	1796	585	37	1652	440	18		01.130.229.0	1 unit
791	1996	585	41	1852	440	19		01.130.230.0	1 unit
791	2196	585	46	2052	440	20		01.130.231.0	1 unit
791	1196	785	23	1052	640	18		01.130.316.0	1 unit
791	1796	785	37	1652	640	20		01.130.319.0	1 unit
791	1996	785	41	1852	640	21		01.130.320.0	1 unit
791	2196	785	46	2052	640	22		01.130.321.0	1 unit



MIR20305

**Knürr Miracel® 19" Distribution Rack with Swing Frame, NS 19.8 D Width 800, with front glass door, single**

- With 19" swing frame for components in acc. with IEC 297-3
- Cable entry via plinth and top cover
- Cable entry on the top cover, can be completely removed at the rear, allowing top cover removal and replacement after cabling
- Dissipated heat discharge via raised fan roof
- Top cover prepared for upgrading with CoolBlast® range fan units. This enables flexible adjustments to customer requirements.
- Door opening angle, 180°

**Load rating**

800 N static in the swing frame  
5000 N static in total

**Protection rating**

IP 40

**Tests**

- Earthing in acc. with VDE 0100 T 540
- Vibration test in acc. with MIL-STD 810 E
- IP test in acc. with DIN 40 050 / IEC 529

**Material/ Finish**

- Extruded aluminum
- Corner piece, die-cast aluminum
- Covers, zinc-passivated sheet steel, powder-coated texture
- Doors, sheet steel, powder-coated texture, glass infill, front door, single safety glass panel, 4 mm
- Swing frame, sheet steel, powder-coated, front board support, zinc-passivated
- Multifunctional braces and 19" swing frame, sheet steel, zinc-passivated

**Color**

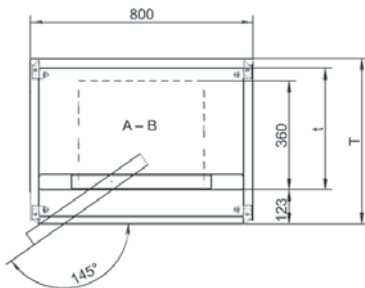
Visible surface of covers, RAL 7035 light gray

**Supply schedule**

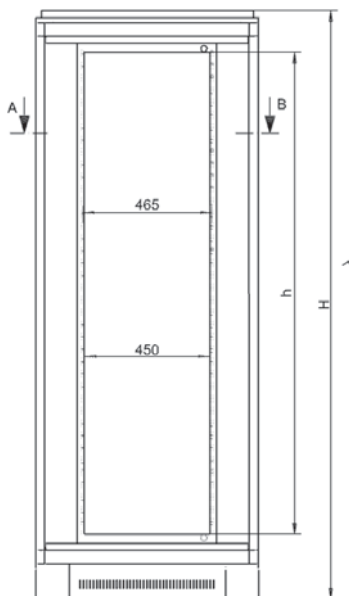
- 1 basic frame
- 1 19" swing frame with mounting holes for caged nuts M5
- 2 multifunctional braces for cable clamping and universal mounting options
- 1 raised top cover with cable entry (three-piece sliding plates, can also be opened completely), prepared for upgrading CoolBlast® fan units
- 1 front door, single, single safety glass panel, with handle and mounting for cylinder lock
- 1 rear panel with quick connectors
- 2 side panels with quick connectors
- 1 plinth for cable entry on the side and rear with leveling feet (0-25mm)
- 2 plinth panels for front and rear, with vent slots and fixing for filter mat
- 1 complete earthing set (VDE 0100)

**How supplied**

Assembled



MIR00047



MIR00047

W	H	D	U	h	d	kg	Model	Order no.	UP
800	2120	600	38	1692.8	435	111	With side panels	01.135.274.1	1 unit
800	2320	600	42	1870.6	435	120	With side panels	01.135.275.1	1 unit
800	2120	800	38	1692.8	635	119	With side panels	01.135.292.1	1 unit
800	2320	800	42	1870.6	635	128	With side panels	01.135.293.1	1 unit

Dimensions in mm: W = Width, H = Height, D = Depth, h = installation height, d = useful depth, L = length, U = standard height unit, 1 U = 44.45 mm, UP = unit of packaging, kg = weight, = Express item

Conversion: 1 mm = 0.03937 inch, 1 kg = 2.2046 pound

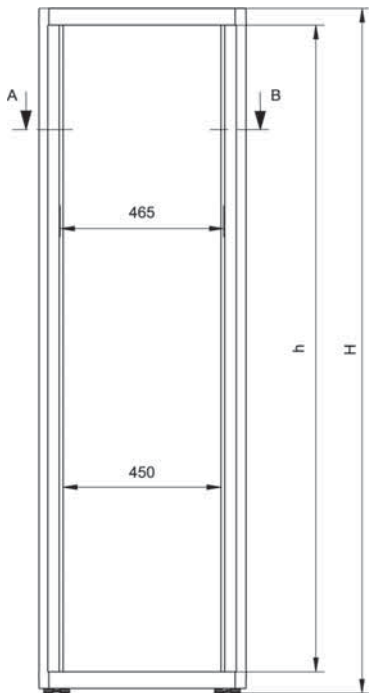
# Knürr Miracel®



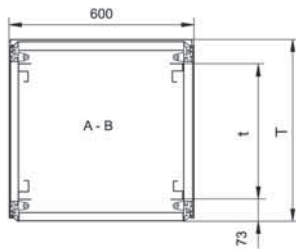
MIR20309

## Knürr Miracel® no front door, width 600 mm

- With fixed 19" installation on the front and rear
- Installation of chassis runners and 19" shelves possible
- For components in acc. with IEC 297-3
- **For installing:**
  - 19" components on the front and rear
  - Equipment with max. construction width of 450 mm
  - Installation accessories
- **Jumpering space**  
At the front: 73 mm
- **Load rating**  
5000 N static
- **Tests**
  - Earthing in acc. with VDE 0100 T 540
  - Vibration test in acc. with MIL-STD 810 E
- **Material/ Finish**
  - Basic rack, extruded aluminum
  - Corner piece, die-cast aluminum
  - Covers and trim extrusions, zinc-passivated sheet steel, powder-coated texture
  - Multifunctional braces and 19" extrusions, sheet steel, zinc-passivated
- **Color**
  - Basic rack, polished
  - Visible surface of the covers, RAL 7035 light gray
  - Trim extrusions: RAL 5008 gray-blue
- **Supply schedule**
  - 1 basic frame
  - 4 19" sheet steel extrusions with mounting holes
  - 2 multifunctional braces for cable clamping and universal mounting options
  - 1 top cover, closed
  - 1 rear panel with quick connectors
  - 2 side panels with quick connectors
  - 2 horizontal trim extrusions, front
  - 2 vertical trim extrusions, front
  - 4 leveling feet (0-25 mm)
- **How supplied**
  - Assembled



MIR00540



MIR00540

W	H	D	U	h	d	kg	Model	Order no.	UP
600	1200	600	23	1052	440	42		01.131.068.1	1 unit
600	1800	600	37	1652	440	57		01.131.071.1	1 unit
600	2000	600	41	1852	440	62		01.131.072.1	1 unit
600	2200	600	46	2052	440	66		01.131.073.1	1 unit
600	1200	800	23	1052	640	48		01.131.074.1	1 unit
600	1800	800	37	1652	640	63		01.131.077.1	1 unit
600	2000	800	41	1852	640	69		01.131.078.1	1 unit
600	2200	800	46	2052	640	75		01.131.079.1	1 unit

Dimensions in mm: W = Width, H = Height, D = Depth, h = installation height, d = useful depth, L = length, U = standard height unit, 1 U = 44.45 mm, UP = unit of packaging, kg = weight, = Express item

Conversion: 1 mm = 0.03937 inch, 1 kg = 2.2046 pound



MIR20336

**Knürr Miracel® IP55**  
With glass door, single, width 600

- With fixed 19" installation on the front and rear
- For components in acc. with IEC 297-3
- Door opening angle, 180°
- **For installing:**
  - 19" components on the front and rear
  - Equipment with max. construction width of 450 mm
  - Installation accessories
- **Jumpering space**  
At the front: 73 mm
- **Load rating**  
5000 N static
- **Protection rating**  
IP 55
- **Tests**
  - Earthing in acc. with VDE 0100 T 540
  - Vibration test in acc. with MIL-STD 810 E
  - IP test in acc. with DIN 40 050 / IEC 529

- **Supply schedule**
  - 1 basic frame
  - 4 19" sheet steel angular extrusions with mounting holes
  - 2 multifunctional braces for cable clamping and universal mounting options
  - 1 top cover, closed, IP 55
  - 1 front door, single, single safety glass panel, with handle and mounting for cylinder lock, IP 55
  - 1 rear panel with quick connectors, IP 55
  - 2 side panels with quick connectors, IP 55
  - 1 bottom cover, closed, IP 55
  - 4 leveling feet (0-25 mm)

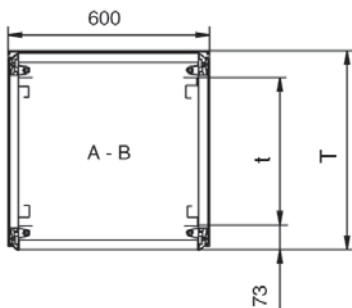
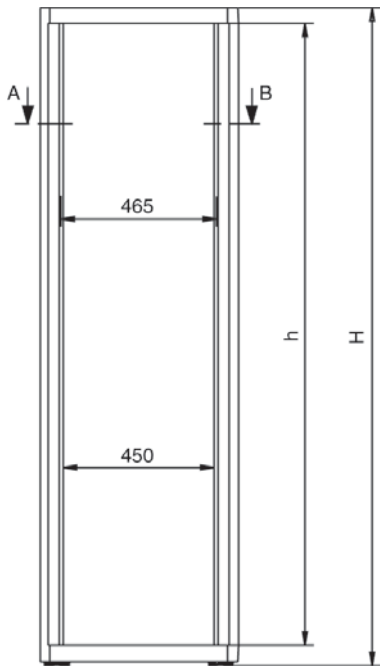
- **How supplied**  
- Assembled

- **Note: Rack suites**  
To create a rack suite with "n" racks, you require:  
(n-1) racks without side panels  
1 rack with side panels  
In a rack suite, per connection you require a set of suite connectors BN 01.130.935.7.

IP 55 sealing frame on request!

- **Material/ Finish**
  - Basic rack, extruded aluminum, polished
  - Corner piece, die-cast aluminum, polished
  - Covers, zinc-passivated sheet steel, powder-coated texture
  - Doors, sheet steel, powder-coated texture, glass infill, front door, single safety glass panel, 4 mm
  - Multifunctional braces and 19" extrusions, sheet steel, zinc-passivated

- **Color**  
Visible surface of the cover  
RAL 7035 light gray




MIR00301



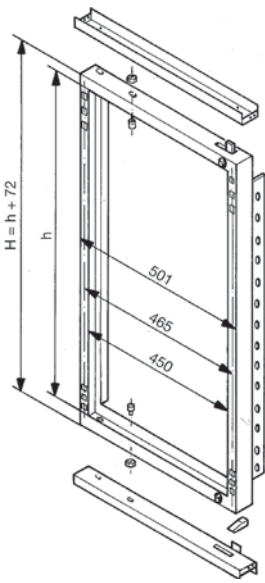
Sealing frame

MIR00304

**Dimensions in mm:** W = Width, H = Height, D = Depth, h = installation height, d = useful depth, L = length, U = standard height unit, 1 U = 44.45 mm, UP = unit of packaging, kg = weight,  = Express item

**Conversion:** 1 mm = 0.03937 inch, 1 kg = 2.2046 pound

W	H	D	U	h	d	kg	Model	Order no.	UP
600	1200	600	23	1052	440	55		01.132.268.1	1 unit
600	1600	600	32	1452	440	69		01.132.270.1	1 unit
600	1800	600	37	1652	440	75		01.132.271.1	1 unit
600	2000	600	41	1852	440	80		01.132.272.1	1 unit
600	2200	600	46	2052	440	86		01.132.273.1	1 unit
600	1200	800	23	1052	640	65		01.132.274.1	1 unit
600	1600	800	32	1452	640	76		01.132.276.1	1 unit
600	1800	800	37	1652	640	83		01.132.277.1	1 unit
600	2000	800	41	1852	640	90		01.132.278.1	1 unit
600	2200	800	46	2052	640	96		01.132.279.1	1 unit

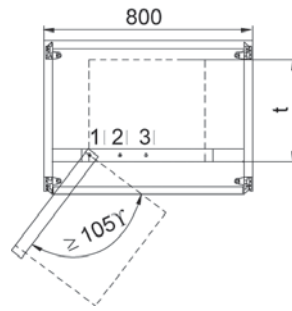


MIR00162

## Miracel® Swing Frame, 90° / 105° / 130°

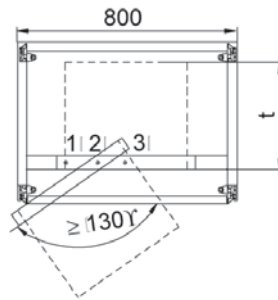
- **Maximum installation weight**  
80 kg
- **Also order assembly kit**  
01.131.317.1
- **Swing frame earthing set**  
01.110.610.9
- **Material**  
Sheet steel, 2 mm
- **Finish**  
Powder-coated texture, RAL 7035 light gray
- **Note**  
The rack's nominal installation height is reduced by 3 U with the installation of a swing frame
- **Supply schedule**  
1 frame  
2 horizontal rails  
1 square spanner  
Mounting material
- **How supplied**  
Flat-packed kit

W	H	D	U	h	d	kg	Model	Order no.	UP
800	2000	38	1692.8					01.117.079.1	1 unit



MIR00322

A



MIR00323

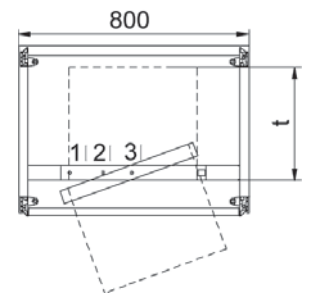
B

## Useful depth according to rack type and pivot point

- A Center inst., pivot point 1
- B Center inst., pivot point 2
- C Center inst., pivot point 3

W [mm]	H [mm]	D [mm]
800		600
800		800

A	B	C	D
390	370	360	285
535	370	360	285



MIR00324

C



MIR00209

## 19" Swing Frame 180°

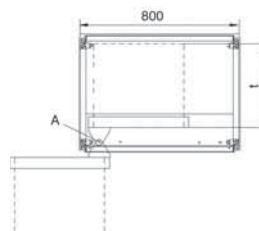
- With swing frame use the rack must be screwed to the floor.
- Installation of the swing frame reduces the rack's nominal installation height by 2 U.
- With load rating > 80 kg installation weight, please also order additional assembly kit, side panel screwing!
- **19" Swing Frame 180°**
  - For mounting 19" components in acc. with IEC 297-3
  - Enables free accessibility to the second mounting level and to the installation components in the swing frame
  - Can be mounted in rack width 800 mm
  - Rack must be screwed to the floor

- **Material**
  - Frame, 2 mm sheet steel
  - Die-cast aluminum pivot bearing

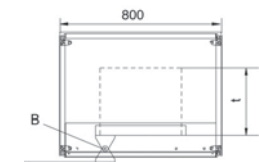
- **Finish/ Color**  
Frame and horizontal rail  
Powder-coated texture, RAL 7035 light gray  
Front board support on the vertical post, zinc-passivated

- **Supply schedule**  
1 19" swing frame, complete  
1 horizontal mounting, below  
1 horizontal mounting, above  
1 square spanner  
Mounting material

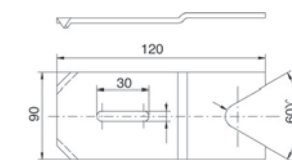
W	H	D	U	h	d	kg	Model	Order no.	UP
800	2000	39	1737					01.131.430.1	1 unit



MIR00315



MIR00316



MIR00319

## Useful depth according to rack type and pivot point

- A External inst., external pivot point
- B Center inst., pivot point 1

W [mm]	H [mm]	D [mm]
800		600/800

A	B
420	290

## Base Fixing Kit

- **Material**  
Sheet steel, 3.0 mm

- **Finish**  
Zinc-passivated

- **Supply schedule**  
4 clamping plates

W	H	D	U	h	d	kg	Model	Order no.	UP
								01.130.934.7	1 unit



MIR20310

## Miracel® Sheet Steel Door with Perforation, Single

- **Material**  
Sheet steel, 1.0 mm
- **Finish/ Color**  
Final digit of order number .1:  
Powder-coated texture  
RAL 7035 light gray  
Final digit of order number .8:  
Powder-coated texture  
RAL 7021 dark gray
- **Supply schedule**  
1 door  
Mounting material
- **Volume flow**  
A large surface perforation (83% free surface) enables optimum airflow through the rack



MIR20277

## Miracel® Sheet Steel Door with Perforation, Double

- **Material**  
Sheet steel, 1.0 mm
- **Finish/Color**  
Final digit of order number .1:  
Powder-coated texture  
RAL 7035 light gray  
Final digit of order number .8:  
Powder-coated texture  
RAL 7021 dark gray
- **Supply schedule**  
1 door  
Mounting material
- **Volume flow**  
A large surface perforation (83% free surface) enables optimum airflow through the rack

W	H	D	U	h	d	kg	Model	Order no.	UP
600	1200						Compl. door, RAL 7035	<b>01.147.400.1</b>	1 unit
600	1200						Compl. door, RAL 7021	<b>01.147.400.8</b>	1 unit
700	1200						Compl. door, RAL 7035	<b>01.147.401.1</b>	1 unit
700	1200						Compl. door, RAL 7021	<b>01.147.401.8</b>	1 unit
800	1200						Compl. door, RAL 7035	<b>01.147.402.1</b>	1 unit
800	1200						Compl. door, RAL 7021	<b>01.147.402.8</b>	1 unit
600	1800						Compl. door, RAL 7035	<b>01.147.412.1</b>	1 unit
600	1800						Compl. door, RAL 7021	<b>01.147.412.8</b>	1 unit
700	1800						Compl. door, RAL 7035	<b>01.147.413.1</b>	1 unit
700	1800						Compl. door, RAL 7021	<b>01.147.413.8</b>	1 unit
800	1800						Compl. door, RAL 7035	<b>01.147.414.1</b>	1 unit
800	1800						Compl. door, RAL 7021	<b>01.147.414.8</b>	1 unit
900	1800						Compl. door, RAL 7035	<b>01.147.415.1</b>	1 unit
900	1800						Compl. door, RAL 7021	<b>01.147.415.8</b>	1 unit
600	2000						Compl. door, RAL 7035	<b>01.147.416.1</b>	1 unit
600	2000						Compl. door, RAL 7021	<b>01.147.416.8</b>	1 unit
700	2000						Compl. door, RAL 7035	<b>01.147.417.1</b>	1 unit
700	2000						Compl. door, RAL 7021	<b>01.147.417.8</b>	1 unit
800	2000						Compl. door, RAL 7035	<b>01.147.418.1</b>	1 unit
800	2000						Compl. door, RAL 7021	<b>01.147.418.8</b>	1 unit
600	2200						Compl. door, RAL 7035	<b>01.147.420.1</b>	1 unit
600	2200						Compl. door, RAL 7021	<b>01.147.420.8</b>	1 unit
700	2200						Compl. door, RAL 7035	<b>01.147.421.1</b>	1 unit
700	2200						Compl. door, RAL 7021	<b>01.147.421.8</b>	1 unit
800	2200						Compl. door, RAL 7035	<b>01.147.422.1</b>	1 unit
800	2200						Compl. door, RAL 7021	<b>01.147.422.8</b>	1 unit

W	H	D	U	h	d	kg	Model	Order no.	UP
600	2000						Double door RAL 7035	<b>01.128.260.1</b>	1 unit
600	2000						Double door RAL 7021	<b>01.128.260.8</b>	1 unit
700	2000						Double door RAL 7035	<b>01.128.261.1</b>	1 unit
700	2000						Double door RAL 7021	<b>01.128.261.8</b>	1 unit
800	2000						Double door RAL 7035	<b>01.128.262.1</b>	1 unit
800	2000						Double door RAL 7021	<b>01.128.262.8</b>	1 unit
600	2200						Double door RAL 7035	<b>01.128.263.1</b>	1 unit
600	2200						Double door RAL 7021	<b>01.128.263.8</b>	1 unit
700	2200						Double door RAL 7035	<b>01.128.264.1</b>	1 unit
700	2200						Double door RAL 7021	<b>01.128.264.8</b>	1 unit
800	2200						Double door RAL 7035	<b>01.128.265.1</b>	1 unit
800	2200						Double door RAL 7021	<b>01.128.265.8</b>	1 unit



MIR00059

## Miracel® Door Trim

- **Material**  
Aluminum extrusion or sheet steel
- **Finish / Color**  
Powder-coated texture, RAL 9011
- **Supply schedule**  
1 door trim (single doors)  
2 door trims (double doors)  
Mounting material
- **How supplied**  
Flat-packed kit



MIR00060

W	H	D	Model	Order no.	UP
600			Door trim, double door*	<b>01.133.200.9</b>	1 set
700			Door trim, double door*	<b>01.133.201.9</b>	1 set
800			Door trim, double door*	<b>01.133.202.9</b>	1 set
600			Door trim	<b>01.133.210.9</b>	1 set
700			Door trim	<b>01.133.211.9</b>	1 set
800			Door trim	<b>01.133.212.9</b>	1 set

\* Cannot be used for glass double doors

**Dimensions in mm:** W = Width  
H = Height  
D = Depth  
h = installation height  
d = useful depth  
L = length  
U = standard height unit  
1 U = 44.45 mm  
UP = unit of packaging  
kg = weight  
Express item

**Conversion:** 1 mm = 0.03937 inch 1 kg = 2.2046 pound

# Knürr Miracel®



MIR20313



MIR20314

## Knürr Miracel® Sheet Steel Door, single and double

- **Material**  
Sheet steel, 1.0 mm
- **Finish / Color**  
Final digit of order number .1:  
Powder-coated texture  
RAL 7035 light gray  
Final digit of order number .8:  
Powder-coated texture  
RAL 7021 dark gray
- **Protection rating**  
With installation in the Miracel rack (depending on the other rack components), a maximum protection class of IP 55 can be achieved with IP 40 double doors.
- **Supply schedule**  
1 sheet steel door  
Mounting material
- **How supplied**  
Pre-assembled

W	H	D	U	Model	Order no.	UP
700	2000	41		Double door, steel	<b>01.131.841.1</b>	1 unit
800	2000	41		Double door, steel	<b>01.131.842.1</b>	1 unit
600	2200	46		Double door, steel	<b>01.131.845.1</b>	1 unit
700	2200	46		Double door, steel	<b>01.131.846.1</b>	1 unit
800	2200	46		Double door, steel	<b>01.131.847.1</b>	1 unit



MIR20311



MIR20312

## Knürr Miracel® Glass Door, single and double

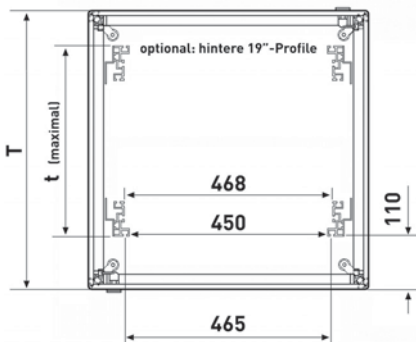
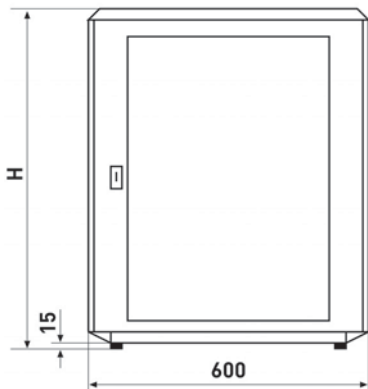
- **Material**  
Sheet steel 1.0 mm, single safety glass panel 4.0 mm, clear glass, double door 6.0 mm
- **Finish / Color**  
Final digit of order number .1:  
Powder-coated texture  
RAL 7035 light gray  
Final digit of order number .8:  
Powder-coated texture  
RAL 7021 dark gray
- **Protection rating**  
With installation in the Miracel rack (depending on the other rack components), a maximum protection class of IP 55 can be achieved with IP 20 double doors.
- **Supply schedule**  
1 glass door  
Mounting material
- **How supplied**  
Pre-assembled

W	H	D	U	Model	Order no.	UP
600	1200	23		Compl. door, RAL 7035	<b>01.147.440.1</b>	1 unit
600	1200	23		Compl. door, RAL 7021	<b>01.147.440.8</b>	1 unit
700	1200	23		Compl. door, RAL 7035	<b>01.147.441.1</b>	1 unit
700	1200	23		Compl. door, RAL 7021	<b>01.147.441.8</b>	1 unit
800	1200	23		Compl. door, RAL 7035	<b>01.147.442.1</b>	1 unit
800	1200	23		Compl. door, RAL 7021	<b>01.147.442.8</b>	1 unit
600	1800	37		Compl. door, RAL 7035	<b>01.147.452.1</b>	1 unit
600	1800	37		Compl. door, RAL 7021	<b>01.147.452.8</b>	1 unit
700	1800	37		Compl. door, RAL 7035	<b>01.147.453.1</b>	1 unit
700	1800	37		Compl. door, RAL 7021	<b>01.147.453.8</b>	1 unit
800	1800	37		Compl. door, RAL 7035	<b>01.147.454.1</b>	1 unit
800	1800	37		Compl. door, RAL 7021	<b>01.147.454.8</b>	1 unit
600	2000	41		Compl. door, RAL 7035	<b>01.147.456.1</b>	1 unit
600	2000	41		Compl. door, RAL 7021	<b>01.147.456.8</b>	1 unit
700	2000	41		Compl. door, RAL 7035	<b>01.147.457.1</b>	1 unit
700	2000	41		Compl. door, RAL 7021	<b>01.147.457.8</b>	1 unit
800	2000	41		Compl. door, RAL 7035	<b>01.147.458.1</b>	1 unit
800	2000	41		Compl. door, RAL 7021	<b>01.147.458.8</b>	1 unit
600	2200	46		Compl. door, RAL 7035	<b>01.147.460.1</b>	1 unit
600	2200	46		Compl. door, RAL 7021	<b>01.147.460.8</b>	1 unit
700	2200	46		Compl. door, RAL 7035	<b>01.147.461.1</b>	1 unit
700	2200	46		Compl. door, RAL 7021	<b>01.147.461.8</b>	1 unit
800	2200	46		Compl. door, RAL 7035	<b>01.147.462.1</b>	1 unit
800	2200	46		Compl. door, RAL 7021	<b>01.147.462.8</b>	1 unit
600	1200	23		Double door, steel	<b>01.131.820.1</b>	1 unit
700	1200	23		Double door, steel	<b>01.131.821.1</b>	1 unit
800	1200	23		Double door, steel	<b>01.131.822.1</b>	1 unit
600	1800	37		Double door, steel	<b>01.131.835.1</b>	1 unit
700	1800	37		Double door, steel	<b>01.131.836.1</b>	1 unit
800	1800	37		Double door, steel	<b>01.131.837.1</b>	1 unit
600	2000	41		Double door, steel	<b>01.131.840.1</b>	1 unit

W	H	D	U	Model	Order no.	UP
600	1200	23		Compl. door, RAL 7035	<b>01.147.480.1</b>	1 unit
600	1200	23		Compl. door, RAL 7021	<b>01.147.480.8</b>	1 unit
700	1200	23		Compl. door, RAL 7035	<b>01.147.481.1</b>	1 unit
700	1200	23		Compl. door, RAL 7021	<b>01.147.481.8</b>	1 unit
800	1200	23		Compl. door, RAL 7035	<b>01.147.482.1</b>	1 unit
800	1200	23		Compl. door, RAL 7021	<b>01.147.482.8</b>	1 unit
600	1800	37		Compl. door, RAL 7035	<b>01.147.492.1</b>	1 unit
600	1800	37		Compl. door, RAL 7021	<b>01.147.492.8</b>	1 unit
700	1800	37		Compl. door, RAL 7035	<b>01.147.493.1</b>	1 unit
700	1800	37		Compl. door, RAL 7021	<b>01.147.493.8</b>	1 unit
800	1800	37		Compl. door, RAL 7035	<b>01.147.494.1</b>	1 unit
800	1800	37		Compl. door, RAL 7021	<b>01.147.494.8</b>	1 unit
600	2000	41		Compl. door, RAL 7035	<b>01.147.496.1</b>	1 unit
600	2000	41		Compl. door, RAL 7021	<b>01.147.496.8</b>	1 unit
700	2000	41		Compl. door, RAL 7035	<b>01.147.497.1</b>	1 unit
700	2000	41		Compl. door, RAL 7021	<b>01.147.497.8</b>	1 unit
800	2000	41		Compl. door, RAL 7035	<b>01.147.498.1</b>	1 unit
800	2000	41		Compl. door, RAL 7021	<b>01.147.498.8</b>	1 unit
600	2200	46		Compl. door, RAL 7035	<b>01.147.500.1</b>	1 unit
600	2200	46		Compl. door, RAL 7021	<b>01.147.500.8</b>	1 unit
700	2200	46		Compl. door, RAL 7035	<b>01.147.501.1</b>	1 unit
700	2200	46		Compl. door, RAL 7021	<b>01.147.501.8</b>	1 unit
800	2200	46		Compl. door, RAL 7035	<b>01.147.502.1</b>	1 unit
800	2200	46		Compl. door, RAL 7021	<b>01.147.502.8</b>	1 unit



SMA20024



SMA20026

## Knürr Smaract® 19" Compact Rack With glass door

- For components in acc. with IEC 297-3
- Access from all sides, removable covers
- Flexible assembly of the components using T-slot (also optional with mounting holes)
- Cable entry via rear panel (also optionally via top cover/bottom cover)
- Heat loss discharge via own convection or with fan unit on the rear panel (accessory)
- Door opening angle, 180°
- Front door with single safety glass panel, lockable

**Jumpering space**  
At the front: 4.33 in

**Load rating**  
2000 N static

**Protection rating**  
IP 20

- Material/Finish**
- Basic rack, extruded aluminum, polished
  - Corner connector, die-cast, polished
  - Covers, sheet steel, powder-coated texture
  - Glass infill front door, single safety glass panel

**Color**  
RAL 7035 light gray

- Supply schedule**
- 1 basic rack
  - 2 side panels, closed, hinged on both sides
  - 1 top cover, closed
  - 1 glass front door, lockable
  - 1 rear door with cable entry, lockable, prepared for ventilation unit
  - 2 19" aluminum vertical extrusions, front, with T-slot and increment slide for spring nut M5 or 19" sheet steel vertical extrusion, front (see table)
  - 1 earthing set
  - 4 leveling feet

**How supplied**  
Assembled

**Note**  
If required, please also order 19" extrusions (see page 2.9) for rear 19" level

W	H	D	U	h	d(max.)	kg	Model	Order no.	UP
600	478	600	9	450	16	16	With 19" T-slot extru.	02.110.007.1	1 unit
600	612	600	12	450	20	20	With 19" T-slot extru.	02.110.012.1	1 unit
600	745	600	15	450	24	24	With 19" T-slot extru.	02.110.017.1	1 unit
600	879	600	18	450	28	28	With 19" T-slot extru.	02.110.022.1	1 unit
600	1012	600	21	450	32	32	With 19" T-slot extru.	02.110.027.1	1 unit
600	1143	600	24	450	36	36	With 19" T-slot extru.	02.110.032.1	1 unit
600	478	800	9	650	19	19	With 19" T-slot extru.	02.110.009.1	1 unit
600	612	800	12	650	23	23	With 19" T-slot extru.	02.110.014.1	1 unit
600	745	800	15	650	27	27	With 19" T-slot extru.	02.110.019.1	1 unit
600	879	800	18	650	31	31	With 19" T-slot extru.	02.110.024.1	1 unit
600	1012	800	21	650	35	35	With 19" T-slot extru.	02.110.029.1	1 unit
600	1145	800	24	650	39	39	With 19" T-slot extru.	02.110.034.1	1 unit
600	478	600	9	450	16	16	With 19" mounting hole extru.	02.110.057.1	1 unit
600	612	600	12	450	20	20	With 19" mounting hole extru.	02.110.062.1	1 unit
600	745	600	15	450	24	24	With 19" mounting hole extru.	02.110.067.1	1 unit
600	879	600	18	450	28	28	With 19" mounting hole extru.	02.110.072.1	1 unit
600	1012	600	21	450	32	32	With 19" mounting hole extru.	02.110.077.1	1 unit
600	1145	600	24	450	36	36	With 19" mounting hole extru.	02.110.082.1	1 unit
600	478	800	9	650	19	19	With 19" mounting hole extru.	02.110.059.1	1 unit
600	612	800	12	650	23	23	With 19" mounting hole extru.	02.110.064.1	1 unit
600	745	800	15	650	27	27	With 19" mounting hole extru.	02.110.069.1	1 unit
600	879	800	18	650	31	31	With 19" mounting hole extru.	02.110.074.1	1 unit
600	1012	800	21	650	35	35	With 19" mounting hole extru.	02.110.079.1	1 unit
600	1145	800	24	650	39	39	With 19" mounting hole extru.	02.110.084.1	1 unit

**Dimensions in mm:** W = Width, H = Height, D = Depth, h = installation height, d = useful depth, L = length, U = standard height unit, 1 U = 44.45 mm, UP = unit of packaging, kg = weight, = Express item

**Conversion:** 1 mm = 0.03937 inch, 1 kg = 2.2046 pound



SMA20035

## Knürr Smaract® 19" Compact Rack, EMC, with sheet steel door

- For components in acc. with IEC 297-3
- Removable covers

**Load rating**  
- 2000 N static

**Material**  
- Basic rack: Extruded aluminum  
- Covers: Sheet steel  
- EMC spring: Stainless steel

**Finish:**  
- Basic rack: polished  
- Covers: Powder-coated texture

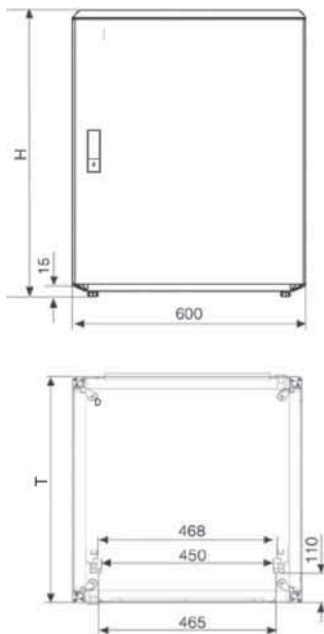
**Color**  
- RAL 7035 light gray

**Supply schedule**

- 1 basic rack
- 2 side panels, EMC, closed, stop on both sides
- 1 top cover, EMC, closed
- 1 bottom cover, EMC, closed
- 1 front door, EMC, closed, lockable
- 1 rear panel, EMC, closed, screwed
- 2 19" aluminum vertical extrusions, at the front, with T-slot incl. increment slide
- 1 earthing set
- 4 leveling feet

**How supplied**

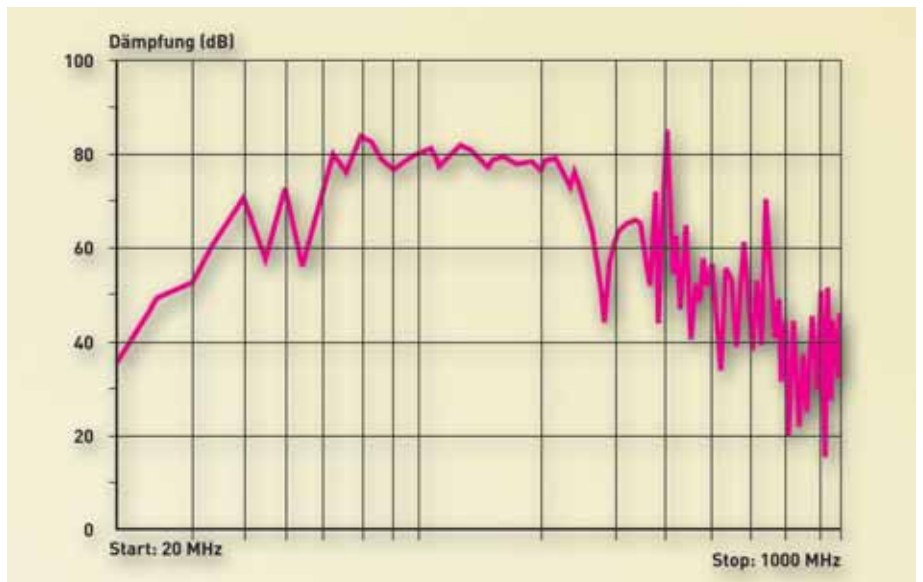
- Assembled



SMA20059

TEC20098

W	H	D	U	h	d	kg	Model	Order no.	UP
600	612	600	12			28		02.110.312.1	1 unit
600	879	600	18			36		02.110.322.1	1 unit
600	1146	600	24			44		02.110.332.1	1 unit
600	612	800	12			32		02.110.314.1	1 unit
600	879	800	18			40		02.110.324.1	1 unit
600	1146	800	24			48		02.110.334.1	1 unit



- EMC measurements performed by pkm Electronic GmbH, Frontenhausen.
- The tests were carried out in compliance with the following standard: VG 95373 Part 15.
- Tested rack: width 600, depth 600, height 1150, closed version.

**Dimensions in mm:** W = Width, H = Height, D = Depth, h = installation height, d = useful depth, L = length, U = standard height unit, 1 U = 44.45 mm, UP = unit of packaging, kg = weight, = Express item

**Conversion:** 1 mm = 0.03937 inch, 1 kg = 2.2046 pound

# Knürr DoubleProRack®



DOP00256

## Knürr DoubleProRack® 19" Stand-Alone Enclosure

- For components in acc. with IEC 297-3
- Side covers and rear panel can be removed
- Flexible assembly of the components using T-slot (also optional with mounting holes)
- Cable entry via rear panel
- Heat loss discharge via own convection on the rear panel (or optionally with fan unit)

### ■ Jumpering space

At the front: 125 mm

### ■ Load rating

1500 N static

### ■ Protection rating

IP 20

### ■ Material/Finish

Covers, sheet steel, powder-coated texture  
Die-cast aluminum frame  
Extruded aluminum extrusions  
Glass infill front door, single safety glass panel

### ■ Color

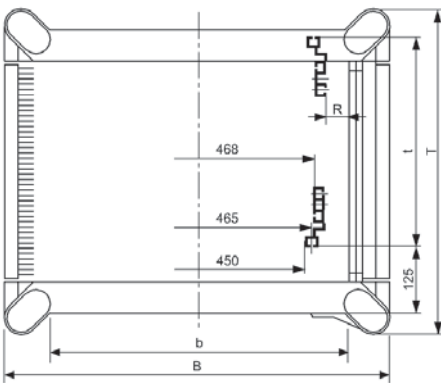
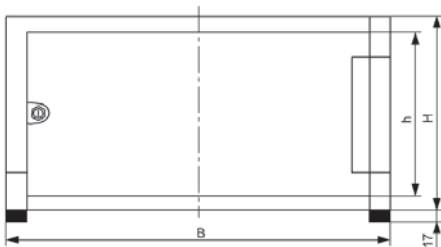
Covers, RAL 7035 light gray  
Frame and extrusions, RAL 5008 gray-blue

### ■ Supply schedule

1 frame rack incl. side covers  
1 full glass door  
1 rear panel with cable entry, 3 parts  
1 cover, above, with vent slots  
1 cover, below, with vent slots  
1 19" installation set (4 vertical extrusions with T-slot)  
1 earthing set with earthing bolt, M8

### ■ How supplied

Assembled



DOP00230

W	H	D	U	h	d	kg	Model	Order no.	UP
554.4	311	600	6	265	435		With full glass door	01.246.641.1	1 unit
554.4	444	600	9	399	435		With full glass door	01.246.642.1	1 unit
554.4	577	600	12	532	435		With full glass door	01.246.643.1	1 unit
554.4	711	600	15	666	435		With full glass door	01.246.644.1	1 unit
554.4	844	600	18	799	435		With full glass door	01.246.645.1	1 unit
554.4	978	600	21	932	435		With full glass door	01.246.646.1	1 unit
554.4	1111	600	24	1066	435		With full glass door	01.246.647.1	1 unit
554.4	577	800	12	532	635		With full glass door	01.246.843.1	1 unit
554.4	711	800	15	666	635		With full glass door	01.246.844.1	1 unit
554.4	844	800	18	799	635		With full glass door	01.246.845.1	1 unit
554.4	978	800	21	932	635		With full glass door	01.246.846.1	1 unit
554.4	1111	800	24	1066	635		With full glass door	01.246.847.1	1 unit

Dimensions in mm: W = Width  
H = Height  
D = Depth  
h = installation height  
d = useful depth  
L = length  
U = standard height unit  
1 U = 44.45 mm  
UP = unit of packaging  
kg = weight  
🚚 = Express item

Conversion: 1 mm = 0.03937 inch 1 kg = 2.2046 pound